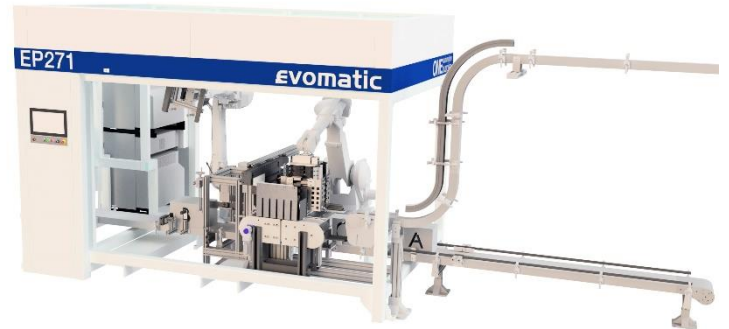


## DESCRIPTION

EP271 is a completely independent robot cell that with high precision and pace controls products to the index path where they are then picked up by the robot in packaging. The cell is a standard equipment but has very good opportunities for easy customer adaptation to specific products and demanding needs.



VIEW FROM THE SIDE

## PRODUCT SPECIFICATION

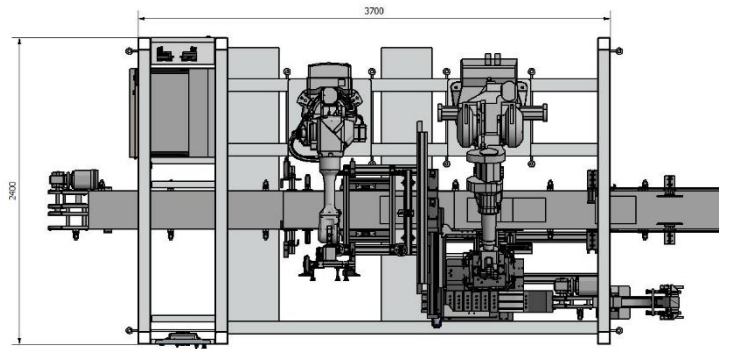
Capacity	< 100 picks/min
Availability	96%
Material	Lacquered
Robot	ABB IRB2600

## OPTIONS

PLC	Siemens
Food classification	Selected zone
Product amount	Selectable
Service agreement	Annually
Distance support	EvoConnected
Training	EvoTraining
Commissioning	Custom

## TECHNICAL SPECIFICATION

Current	50 A
Air	500 L/min
Width	2,400 mm
Length	3,700 mm
Height	2,200 mm



VIEW FROM ABOVE

